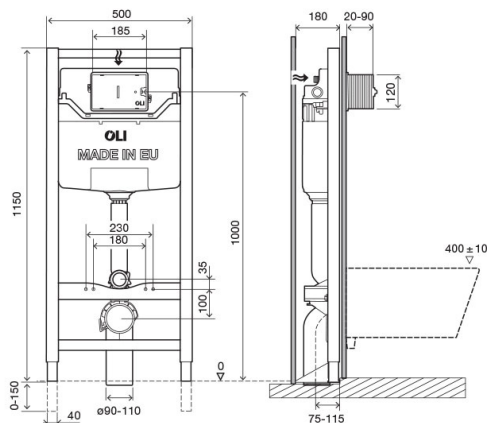


# Technical Sheet

## OLI120 Plus Mechanic Free Standing



### Product Identification

099952

- OLI120 Plus Mechanic Free Standing

### Definition and Application

- Preassembled structure to be secured to the floor only for the installation of wall-hung pans inside light walls
- Compatible with all wall-hung WC pans

### Technical Features

#### Structure

- In painted tubular corrosion resistant
- Height adjustable from 0 to 150mm
- Depth adjustable outlet bend
- Tested for 400kg load

#### Cistern

- Dual flush in-wall cistern compatible with either dual or single flush actuators 6/3 litres (adjustable to 4/2 and 7/3)
- Mechanic actuation
- Equipped with Azor Plus Inlet Valve, with delayed refilling (saves up to 9 litres of water per day) and silent according to the NF standard category Class I
- Working pressure from 0,1 to 16 bar
- Resistance to atmospheric humidity (Hr <90%).
- Polypropylene (PP) cistern highly resistant and inalterable to thermal stress
- CE EN 14055 marking CL1
- According to DIN/NF/KIWA standards
- Supplied with anti-condensation lining

Millimetres measure

### Accessories

- 1 Flush pipe  $\varnothing$  90 x 250
- 1 Seal for Flush pipe  $\varnothing$  125
- 1 Connecting pipe  $\varnothing$  45 x 180
- 1 Pan rubber seal  $\varnothing$  45
- 1 Protective box
- 1 G 1/2" stop valve
- 1 Protection sponge for the stop valve
- 1 Flush bend  $\varnothing$  90 / 90 L230
- 1 Outlet bend and  $\varnothing$ 90/110 adaptor
- 1 Protection pipe  $\varnothing$ 90
- 1 Protection pipe  $\varnothing$ 45

### Fixing accessories for wall structure:

- 6 Bushing for metal structure

### Fixing accessories for toilet bowl mounting on the structure:

- 2 Threaded rods M12
- 2 Nuts M12
- 2 Protection for threaded rod
- 2 Protection cover
- 2 Toilet centring washer
- 2 Washers Zn  $\varnothing$  34

## Warranty

- Ten (10) years warranty according to the general selling terms, starting from the purchase date of the product.
- If the product is not correctly installed the warranty is not valid

## Observations

- There are available similar products. For more information please consult our Sanitary Installation Systems catalogue or our site [www.oli-world.com](http://www.oli-world.com)